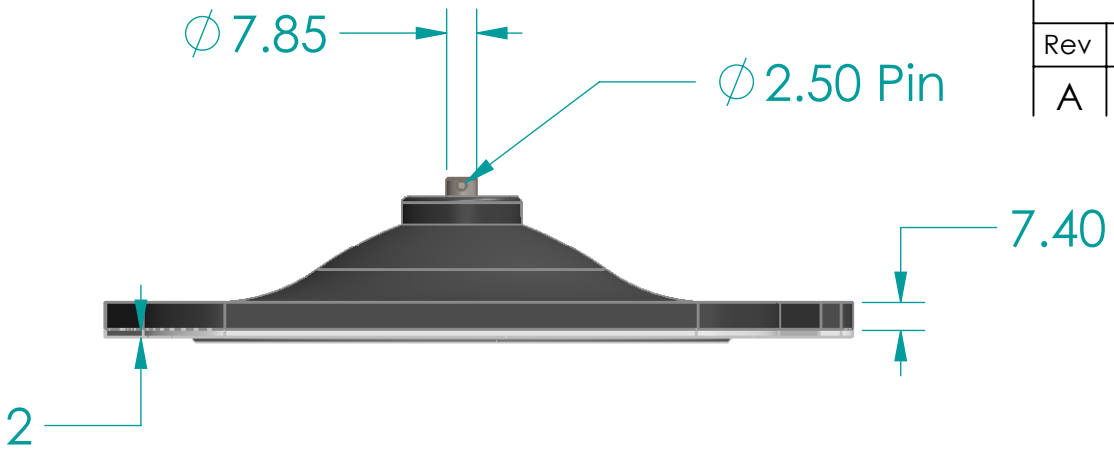
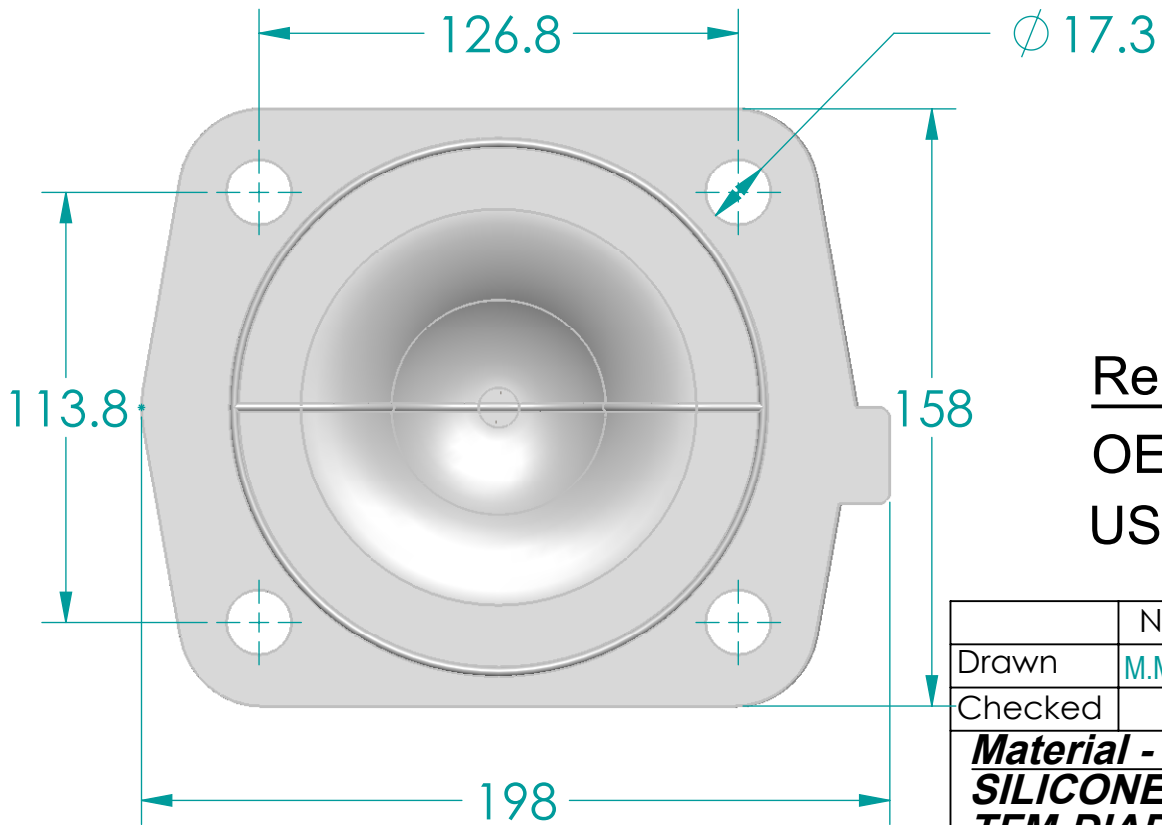


### Revision History

| Rev | Description                   | Date     | Approved |
|-----|-------------------------------|----------|----------|
| A   | NEW OEM Part No. - A-080EX-3" | 09/03/22 | JB       |



Scale  
1:4



**Replacement Diaphragm for:-**  
**OEM PART = A-080EX-3"**  
**USED ON 3" (DN80) Diaphragm Valve**

|  |                       |              |                    |
|--|-----------------------|--------------|--------------------|
|  | Name                  | Date         |                    |
| Drawn  | M.Mc Keon             | 09/03/22     |                    |
| Checked  |                       |              | TITLE              |
| <b>Material -</b><br><b>SILICONE BACKING</b><br><b>TFM-DIAPHRAGM</b><br>Complies with CFR 177.2600<br>and Conforms to<br>USP Class VI Biological Reactivity<br>Tests Section #87 and #88 |                       |              | <b>DD30-STFM-X</b> |
| Size   | FOOT PRINT DIMENSIONS |              | Rev                |
| A  |                       |              | A                  |
| File Name-   |                       |              | DD30-STFM-X RevA   |
| SCALE: 1:2   | Job: 43               | Sheet 1 of 1 |                    |

Disclaimer - Diaphragm Direct® does not manufacture, represent, nor sell OEM valves or diaphragms manufactured by any other company. Diaphragm Direct® brand diaphragms are not sponsored by any other manufacturers. Any name, model, part number, brand, image, material or referral is for descriptive purposes only. Diaphragm Direct® brand replacement diaphragms are guaranteed to fit OEM equipment and meet or exceed OEM specifications. Diaphragm Direct® brand replacement diaphragms are covered by the standard Diaphragm Direct® limited product warranty.